



# AlphaESS Australia

---

*Leading Brand in Energy Storage*



Operating in Australia for over **10** years.  
Choice for over **50,000** Australian customers.

Your Partner in  
Every Endeavour

# 01 ABOUT ALPHAESS

- Who We Are
- AlphaESS Australia

# 02 PRODUCTS & SOLUTIONS

- Residential ESS
- Commercial & Industrial ESS

# 03 CASE STUDIES

- Residential ESS
- Commercial & Industrial ESS

# 01

## ABOUT ALPHAESS

- Who We Are
- AlphaESS Australia



“ Make clean energy accessible to everyone in the world.

# WHO WE ARE

AlphaESS is a leading global green energy storage solution and service provider. With expertise in BMS, EMS, system integration, and cloud monitoring, we excel in providing tailored solutions for a wide range of applications, including residential, commercial & industrial, and utility-scale projects.

AlphaESS has 30+ subsidiaries and branches worldwide, including China, Germany, Australia, Italy, the United Kingdom, South Africa, Singapore, Malaysia, and more. With over 150,000 systems actively running across 100+ countries, we have built a comprehensive global supply chain and logistics network.



**100 +**

Countries & Regions



**150,000 +**

Systems Installed Globally



**12 +**

Years of Industry Experience



**200 +**

Patents in the ESS field

Discover more: [www.alphaess.com](http://www.alphaess.com)



## TOP 1

2022-2023 TOP 1  
Australia Market Share  
*from SunWiz*

## TOP 5

2023 H1 TOP 5  
Residential ESS Provider in Germany  
*from EUPD Research*

## TOP 6

2021 TOP 6 supplier of  
global residential storage systems  
*from IHS Markit*



ESG Transparency  
Award



iF & Reddot & G-mark  
Design Award



TOP BRAND PV  
(STORAGE & INVERTERS)

# Global Service Network



**300+**

Global Service Network

## Key Networks

- Asia: China, Singapore, Malaysia, The Philippines, Myanmar, Indonesia, Uzbekistan, Japan
- Europe: Germany, United Kingdom, Italy, Belgium, Netherlands, France, Czech Republic, Spain
- Oceania: Australia, New Zealand, Fiji, New Caledonia
- Americas: United States, Guam, Hawaii, Colombia
- Africa: South Africa, Kenya, Nigeria





30+

Subsidiaries

4

Production Centers

China: Nantong (Tongzhou & Qidong), Guangde

Malaysia: Kulim



4

R&D Centers

Nantong, Suzhou, Nanjing, Tianjin



Headquarters



Subsidiary



Production Center

\*China: Nantong (Tongzhou & Qidong), Suzhou, Nanjing, Guangde, Beijing, Tianjin, Shenzhen, Guangzhou, etc.

# ALPHAESS AUSTRALIA

**2015**

AlphaESS Australia was established

**2017**

One of only two manufacturers in South Australia listed as a Relevant Agent for the API control technology of Internet connected inverters

**2016**

Launched "All-in-One" residential ESS in Australia

**2019**

- Launched the SMILE5 system
- Held the No.1 market share in Australia





**2021**

Top Brand PV - Storage in Australia issued by EUPD Research



**2024**

Your Partner in Every Endeavour

**2023**

- Your Partner in VPP
- Top Brand PV - Storage in Australia issued by EUPD Research



# Local Service



**30+**

Local Service Personnel



**5**

Service Points Across  
Five States



## How to find us?



### Hotline

(02) 9000 7676

7:00 AM - 5:00 PM



### Email

**Sales Dept:** [australia@alpha-ess.com](mailto:australia@alpha-ess.com)

**Tech Dept:** [techsupport@alphaess.au](mailto:techsupport@alphaess.au)



### Monitoring Platform

AlphaCloud / AlphaPartner



### Website

[www.alphaess.au](http://www.alphaess.au)

# Customer Service

AlphaESS provides timely and efficient after-sales support to our installers, end users and other partners in a variety of ways.

- **Technical Support:**

Dedicated customer service from start to finish with our service staff.

- **AlphaCloud:**

A lifetime-free energy management and monitoring platform for All AlphaESS systems.

- **AlphaPartner:**

Exclusive service platform for AlphaESS' partners including distributors and installers.



Individual Account



Instant Messaging



Work Order Management



\*Service items may vary by country/region, please contact your local AlphaESS business manager for further details.

AlphaPartner  
(Web + App)

AlphaCloud  
(Web + App)

# 02

## PRODUCTS & SOLUTIONS

- Residential ESS
- Commercial & Industrial ESS

# ***Residential ESS***

AlphaESS provides energy storage solutions for households.

With the AlphaCloud monitoring platform, users can fully enjoy the economic benefits and convenience of smart energy management.



# 01

## New Installation

DC-Coupled



<b>Model</b>	SMILE-G3-S3.6	SMILE-G3-S5
<b>Nominal Output Power</b>	3.6 kW	5 kW
<b>Phase</b>	Single Phase	Single Phase
<b>Capacity</b>	4 - 16 kWh	10.1 - 60.6 kWh



Faster Response for  
VPP Control



Built-in Changeover  
Switch Functionality



24/7 Online Monitoring



All-in-One



UPS Ability



# 02

## Added-On Installation

AC-Coupled



Datasheet



Datasheet

<b>Model</b>	SMILE-B3-Plus	SMILE-G3-B5
<b>Nominal Output Power</b>	3 kW	5 kW
<b>Phase</b>	Single Phase	Single Phase
<b>Capacity</b>	5.04 - 30.24 kWh	10.1 - 60.6 kWh



Switch Built-in Installation-free



All-in-One



Exclusive Products for Added-On Energy Storage System

# 03

## New Product *(Coming Soon!)*

AlphaESS Australia is excited to announce the upcoming launch of the SMILE-M5, designed to deliver an unparalleled installation experience. This innovative product simplifies system configuration steps and eliminates the need for manual cable connections between stacked batteries. Additionally, the introduction of battery content aerosols significantly reduces the potential risk of fire, ensuring the safety of homeowner's property. With a large allowable PV installed capacity, the SMILE-M5 maximises homeowner's investment and empowers them to embrace a sustainable energy future with confidence.



### SMILE-M5

Nominal Output Power: 5 kW

Capacity: 5 - 20 kWh

Phase: Single Phase



Plug In & Power Up  
with Ease



Efficiently Reduce Fire  
Hazards



Expert in All-in-One  
System



Get More Out of Every  
kWh Installed



Datasheet



## Exclusive Partner Service — AlphaPartner (Preview Version)



### Quick Self-Check and Accurate Diagnosis

Automatic fault point identification and repair guidance



### Work Order Tracking and Service Guidance

Real-time logistics status updates and step-by-step service instructions



Scan the QR code to download AlphaPartner App.



# ***Commercial & Industrial ESS***





High Energy Density



Cell-Level Constant  
Temperature Control



Enhanced Electrical  
Protection



Intelligent Fire Protection

# 01

## Applications



### **Schools, Hospitals and Banks**

Energy Efficiency for Vital Spaces  
Where Every Watt Matters



### **Commercial Office Buildings**

Energy Resilience for  
Business Excellence



### **Small Factories**

Fueling  
Industry,  
Energising  
Growth





## Islands

Island Energy Independence,  
Harnessing Power from Nature



## Mining Sites

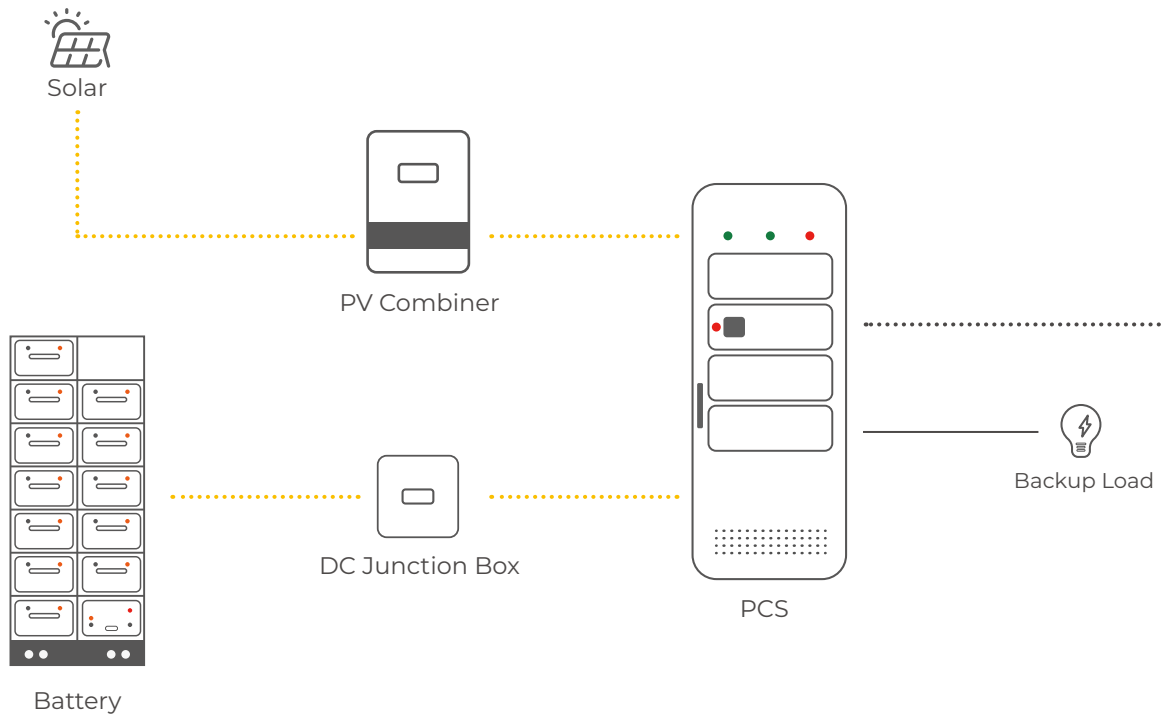
Unearth the Power, Illuminate  
the Depths



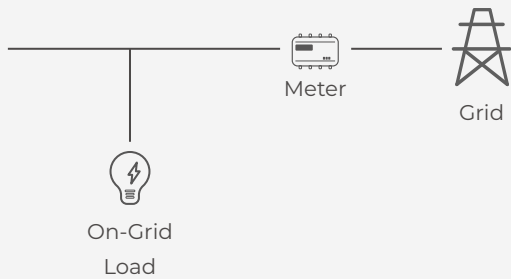
# 02

## Solutions

### ► DC-Coupled System

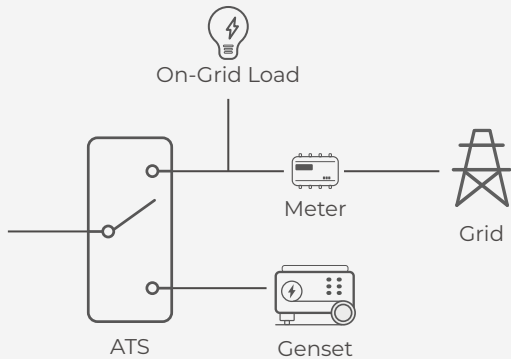






### OPTION 1 On-Grid System

The grid, solar, and battery can supply the load together, offering flexibility in setting priorities or selecting different operating modes. In the event of a grid outage, the on-grid load will be disconnected, and the system will seamlessly switch to supplying the backup load, keeping users unaffected by power disruptions.



### OPTION 2 Dual Power Supply System

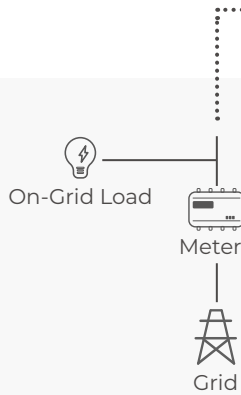
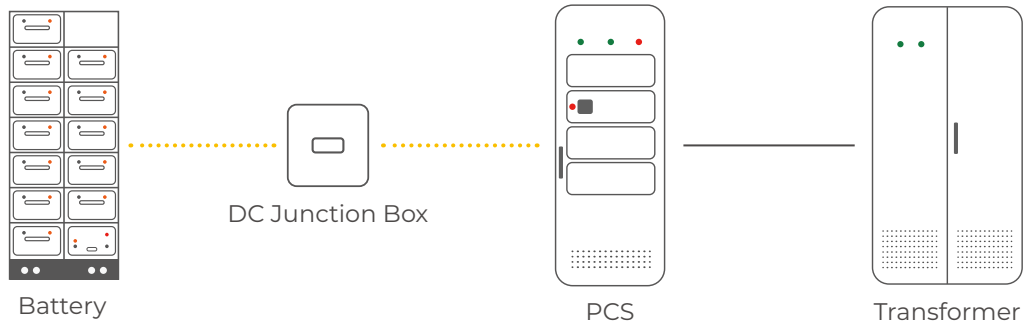
This solution requires an additional ATS device for seamless power source switching. In the event of a grid outage, the ATS will automatically switch to the generator side. The EMS controls the generator's operation, ensuring continuous power supply. This ensures that either the generator or the STORION system is always operational, guaranteeing uninterrupted backup power for essential loads.



### OPTION 3 Off-Grid System

The generator is managed by the EMS via dry contact, allowing users to control its operation based on preset schedules, battery SOC, or manually. This setup ensures continuous operation of either the generator or the STORION system at any given time. Both the diesel generator and the STORION system work together seamlessly, guaranteeing a reliable power supply for users residing in remote off-grid areas.

## ► AC-Coupled System



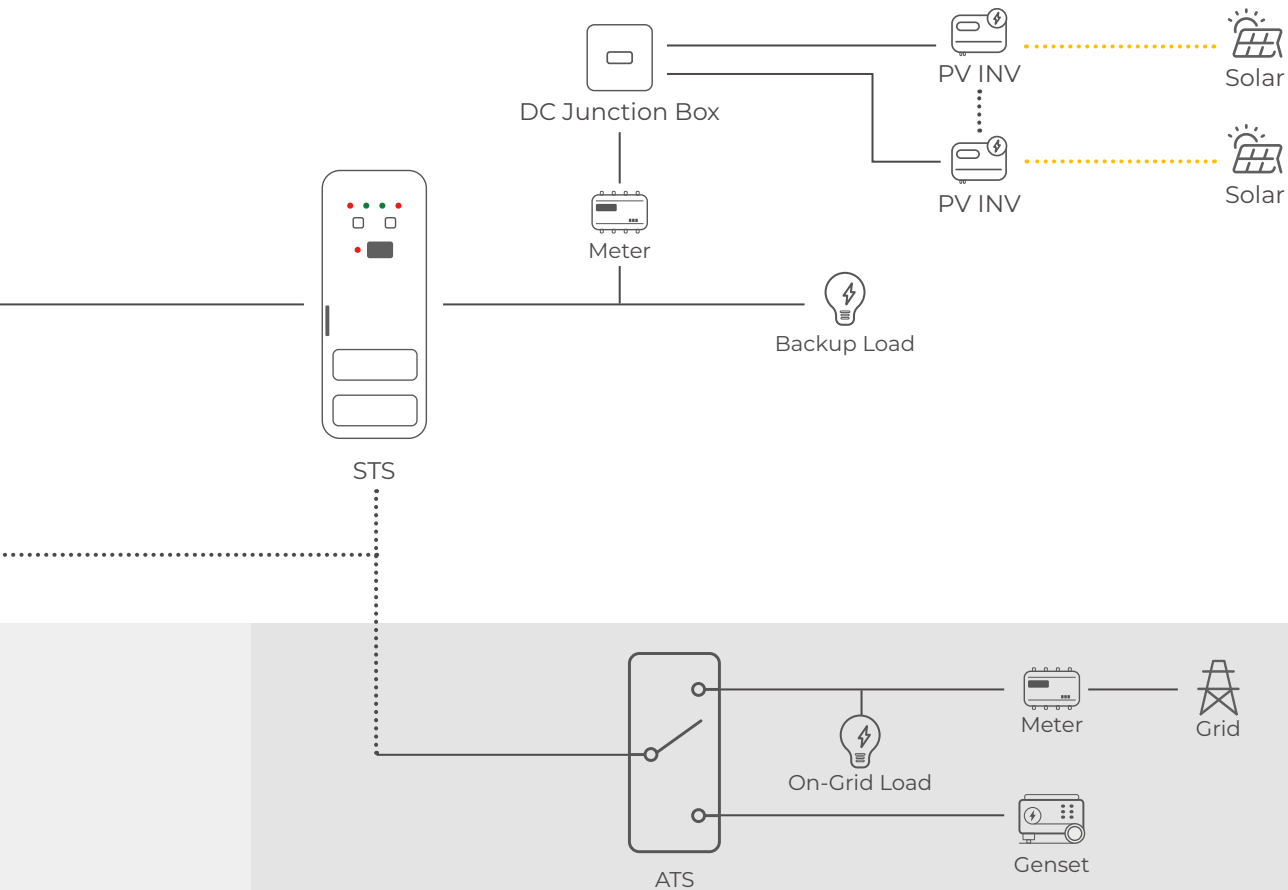
### **OPTION 1** On-Grid System

By integrating grid, solar, and battery sources, our system allows customers to select various operating modes. In the event of a grid outage, the on-grid load will be disconnected, and the system will automatically switch to supplying backup load, keeping users unaffected by power disruptions.



### **OPTION 2** Off-Grid System

The generator is managed by the EMS via dry contact, allowing users to control its operation based on preset schedules, battery SOC, or manually. This setup ensures continuous operation of either the generator or the STORION system at any given time. Both the diesel generator and the STORION system work together seamlessly, guaranteeing a reliable power supply for users residing in remote off-grid areas.



### OPTION 3

#### Dual Power Supply System

This solution requires an additional ATS device for seamless power source switching. In the event of a grid outage, the ATS will automatically switch to the generator side. The EMS controls the generator's operation, ensuring continuous power supply. This setup ensures that either the generator or the STORION system is always operational, guaranteeing uninterrupted backup power for essential loads.

# 03

## CASE STUDIES

- Residential ESS
- Commercial & Industrial ESS



## 100kW / 250kWh

PV + Storage + Off-Grid  
Moomba, South Australia



## 100kW / 670kWh

PV + Storage + Microgrid  
Fremantle, Western Australia





1

**1** 50kW / 200kWh  
PV + Storage  
Perth, Western Australia



2

**2** 50kW - 100kW /  
100kWh - 300kWh  
Solar-Battery-Diesel  
Microgrid System  
Myanmar, Southeast Asia



3

**3** 100kW / 206kWh  
PV + Storage + Genset  
Abu Dhabi, UAE



4

**4** 500kW / 1MWh  
PV + Storage + Genset  
Zimbabwe, Africa

Scan the QR code  
for more details






## AlphaESS Australia

**Hotline:** (02) 9000 7676 7:00 AM - 5:00 PM

**Email:** Sales Dept: [australia@alpha-ess.com](mailto:australia@alpha-ess.com) Tech Dept: [techsupport@alphaess.au](mailto:techsupport@alphaess.au)

**Website:** [www.alphaess.au](http://www.alphaess.au)

**Address:** 8/15-21 Gibbes Street, Chatswood, NSW 2067 Australia

 [@AlphaEnergyStorageSystem](https://www.facebook.com/AlphaEnergyStorageSystem)

 [@AlphaESS](https://twitter.com/AlphaESS)

 [@alpha\\_ess](https://www.instagram.com/alpha_ess)

 [@AlphaESS Australia](https://www.linkedin.com/company/AlphaESS-Australia)

 [www.alphaess.au](http://www.alphaess.au)